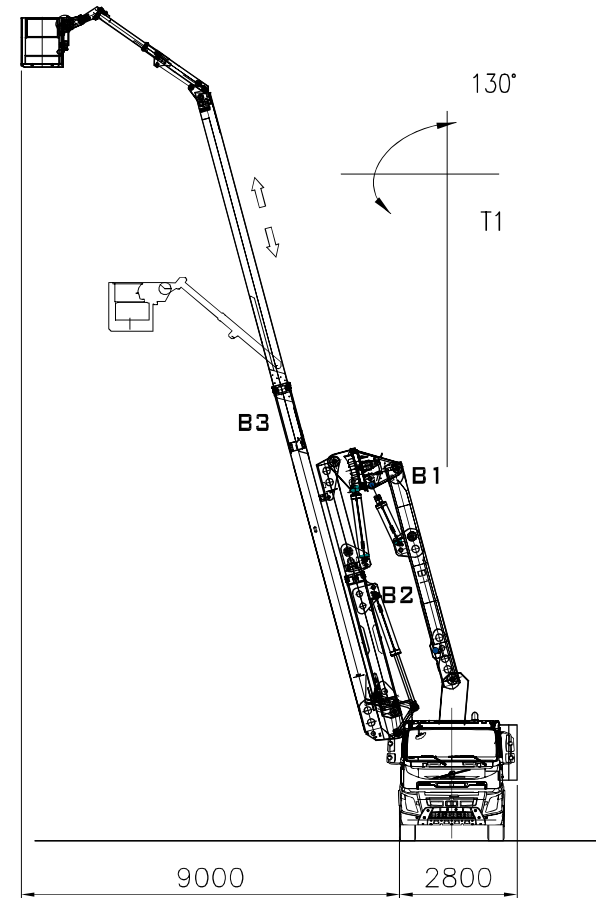
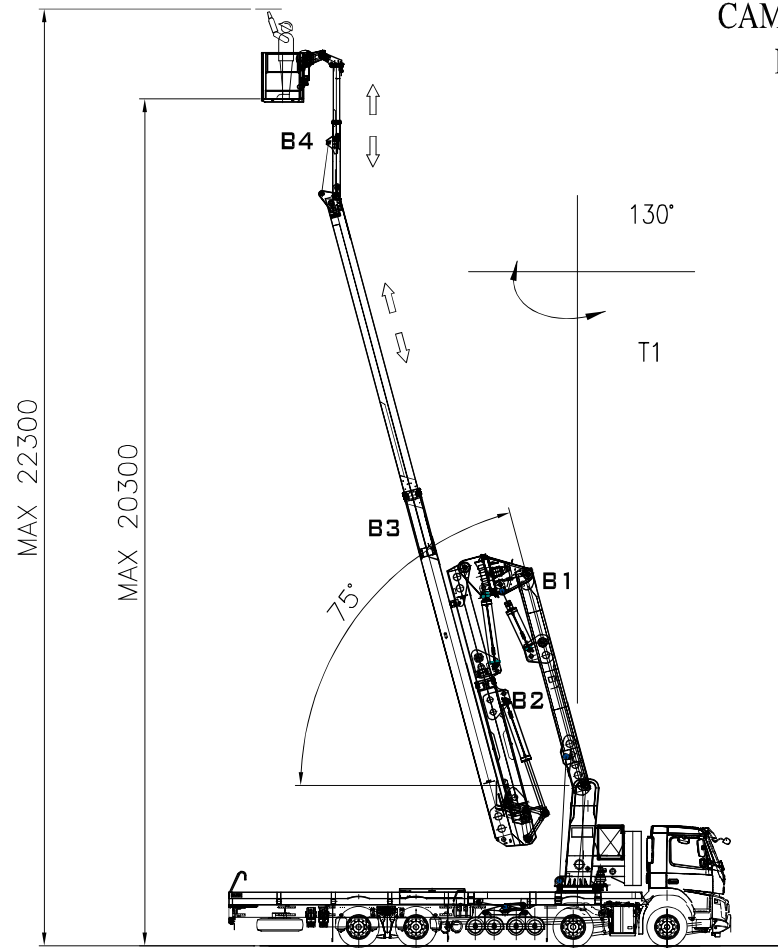


AB 22 / B2T

CAMPO DI LAVORO
IN POSITIVO



PORTATA IN PIATTAFORMA : 300 kg

SUBJECT TO SLIGHT MODIFICATIONS

barin	denom.ne SCHEMA GENERALE			matr. Italia	dis.n. 14214.0	lov.n.
	compl.vo AB			data 10/02/2021		scale 1:125
	CAD DWG	rif.dis.n.	dis. A. Tessarollo	cont. Ing Zuccolo Tristano		
	— cittadella pd — tel.049/5971300 fax 049/9400229 — http://www.barin.it E-mail:info@barin.it even partial is forbidden by law—use and spreading to third parties is forbidden—copyright					

FILE: